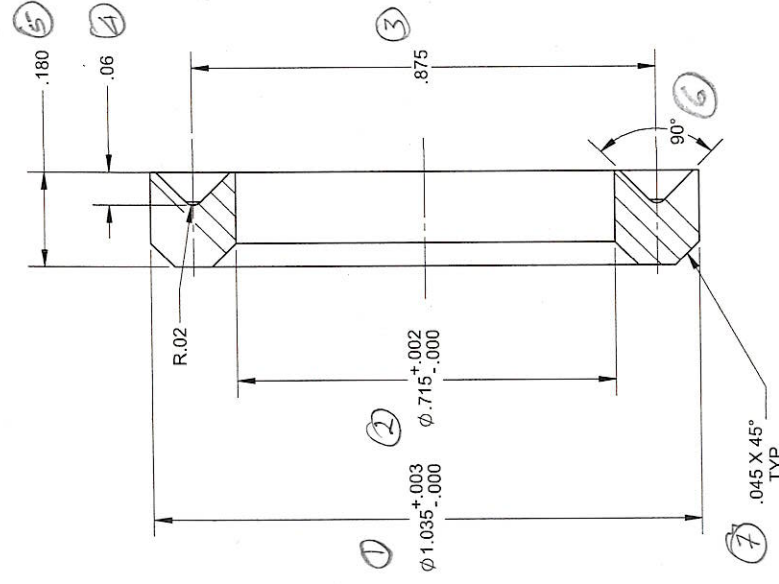
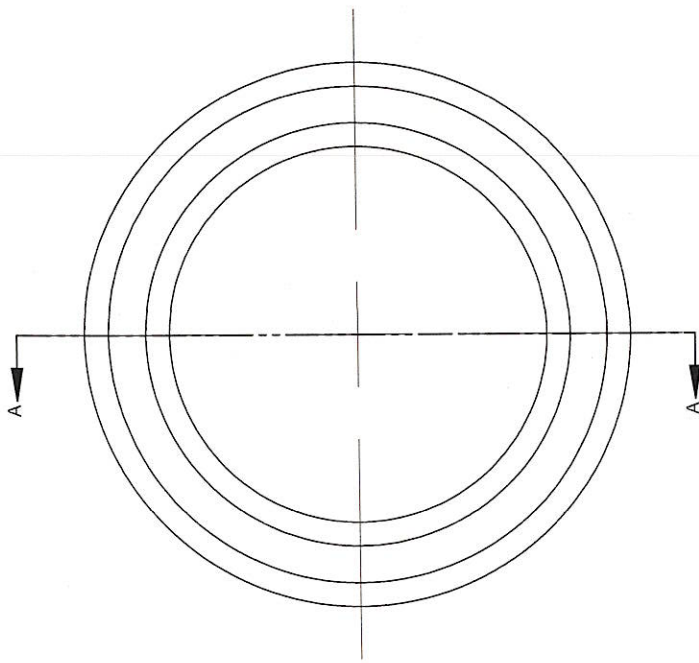


1 MARK TRACKING SHEET (TS) NUMBER



SECTION A-A

TABLE-1

S.NO	DRW NUMBER	MATERIAL
1	CGVW1MG13	15% GLASS 5% MOLY FILLED TEFLON CPS/QA/TDC-23
2	CGVW1V913	VITON 90 DURO CPS/QA/TDC-10
3	CGVW1NF713	NEOPRENE FILLED WITH FABRIC 70 DURO CPS/QA/TDC-10



DES: VEE PACK SEAL FOR 1.0 WIRELINE GAS LIFT DEVICES

DRW NO: SEE TABLE-1  
REV. NO: 00  
SHEET: 1/1

\* - CRITICAL DIMENSIONS

TOLERANCE UNLESS SPECIFIED	DECIMAL	FRACTIONAL	ANGULAR	SURFACE FINISH	T.I.R.
X	± .12	± 1/64	± 1/2°	▽	0.005 MAX
-X	± .025				
-XX	± .010				
-XXX	± .005				

INSIDE CORNER R.03. BREAK SHARP EDGES .005-.015 X .40"  
INTERPRET DIMENSIONS AS PER ASME Y 14.5

SCALE: NTS  
EST. WT: 0.003 lbs.

CONTROLLED COPY

MASTER COPY

1 INCH = 25.4MM

REV. NO	DESCRIPTION	REV. BY	CHK. BY	APR. BY	REV DATE
	SEE TABLE-1			NA	

HEAT TREATMENT: NA